

CUSHION CLOSE HINGE SERIES

Cushion Close Hinges with Integrated Concealed Closing Mechanisms.



One Piece Short Arm Cushion Hinge



165 Degree Clip Cushion Hinge



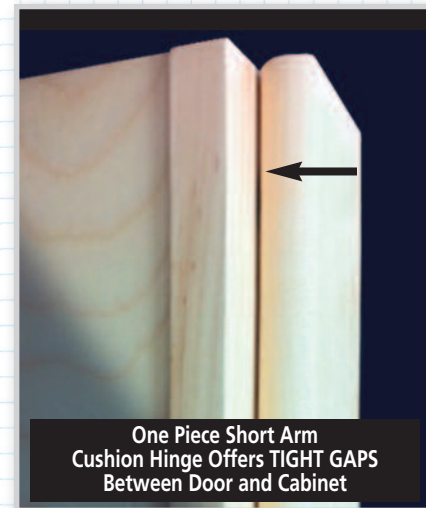
110 Degree Opening



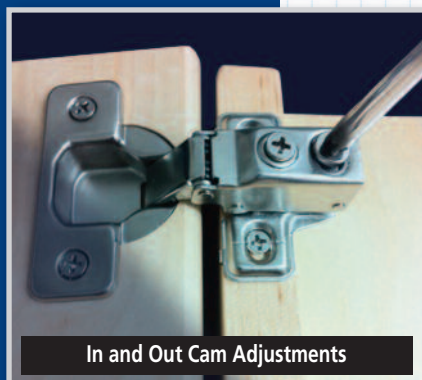
125 Degree Clip Cushion Hinge



Available in 1/2" and 5/8" Door Overlays



One Piece Short Arm Cushion Hinge Offers TIGHT GAPS Between Door and Cabinet



In and Out Cam Adjustments



Euro Cam Adjustable Mounting Plates



Euro Mounting Plates



Steel Face Frame Mounting Plates

Smooth and Reliable Cam Adjustments



The CUSHION CLOSE Benefits Include:

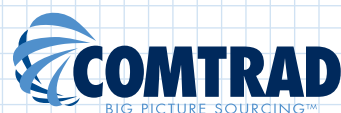
- ▶ Heavy Duty Hinge Cup-to-Arm Connection with 6 Laminated Steel Linkage Connectors.
- ▶ Multiple Cam Adjustments.
- ▶ Full Overlay, Half Overlay and Inset Hinges.
- ▶ Easy Clip-On of Hinge-to-Baseplate.
- ▶ Common Baseplates for Cushion Close, Free Swing and Self Close Applications.
- ▶ Numerous Baseplates for Different Overlays.
- ▶ 45mm c/c Hinge Cup Screw Spread.
- ▶ Competitive Pricing to Lower Door Hardware Costs.
- ▶ Limited Lifetime Warranty.



Double Cam Adjustments

Visit YouTube for a demonstration.
<http://youtu.be/jHQqW7-DR4>

To order please contact your local distributor.



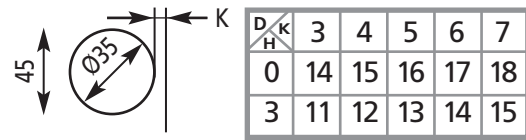
COMTRADSOURCING.com
 1-866-200-0564



COMTRADSOURCING.com
 1-866-200-0564

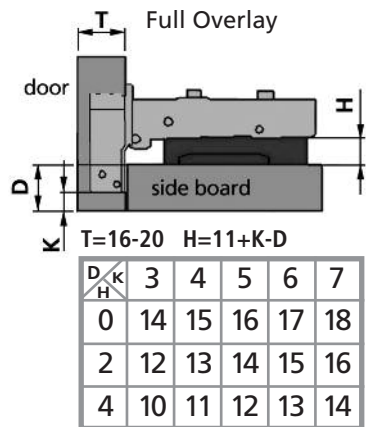
CUSHION CLOSE HINGE SERIES

Hinge Overlay Charts Face Frame Cabinet Overlay

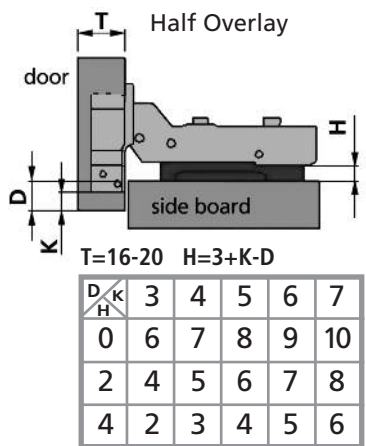


D/H \ K	3	4	5	6	7
0	14	15	16	17	18
3	11	12	13	14	15

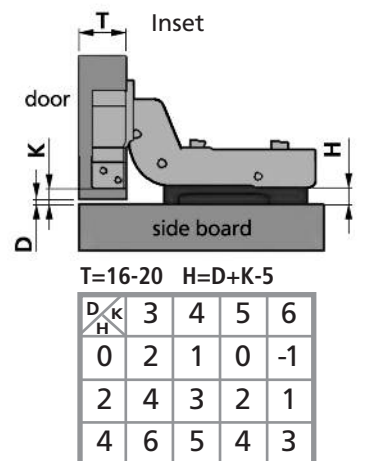
Frameless Cabinet Overlay



D/H \ K	3	4	5	6	7
0	14	15	16	17	18
2	12	13	14	15	16
4	10	11	12	13	14



D/H \ K	3	4	5	6	7
0	6	7	8	9	10
2	4	5	6	7	8
4	2	3	4	5	6



D/H \ K	3	4	5	6
0	2	1	0	-1
2	4	3	2	1
4	6	5	4	3

Comtrad Item Numbers & Description

Clip-On Cushion Close Hinge With Cam Adjustable Arm, 35mm CUP, 45mm C/C		
P/N	Product Description	Carton Qty
243-1016	110 Degree Clip Cushion Hinge, Full OL, with 8mm dowels.	250
243-1017	110 Degree Clip Cushion Hinge, Half OL, with 8mm dowels.	250
243-1018	110 Degree Clip Cushion Hinge, Inset, with 8mm dowels.	250
243-1019	110 Degree Clip Cushion Hinge, Full OL, without dowels.	250
243-1020	110 Degree Clip Cushion Hinge, Half OL, without dowels.	250
243-1021	110 Degree Clip Cushion Hinge, Inset, without dowels.	250
243-1022	125 Degree Clip Cushion Hinge, Full OL, with 8mm dowels.	250
243-1023	125 Degree Clip Cushion Hinge, Full OL, without dowels.	250
243-1051	165 Degree Clip Cushion Hinge, Full OL, without dowels.	100
243-1052	30 Degree Clip Cushion Hinge, without dowels.	100
243-1053	45 Degree Clip Cushion Hinge, without dowels.	100
243-1054	90 Degree Clip Blind Corner Cushion Hinge, without dowels.	100
243-1055	165 Degree Clip Cushion Hinge, Full OL, with 8mm dowels.	100
243-1056	30 Degree Clip Cushion Hinge, with 8mm dowels.	100
243-1057	45 Degree Clip Cushion Hinge, with 8mm dowels.	100
243-1058	90 Degree Clip Blind Corner Cushion Hinge, with 8mm dowels.	100



Clip-On Self Closing & Free Swinging Hinges With Cam Adjustable Arm, 35mm CUP, 45mm C/C		
P/N	Product Description	Carton Qty
243-1041	110 Degree On Hinge, Self Close Full Overlay with 8mm dowels.	250
243-1042	110 Degree On Hinge, Self Close Full Overlay without dowels.	250
243-1043	110 Degree On Hinge, Free Swing Full Overlay with 8mm dowels.	250
243-1044	110 Degree On Hinge, Free Swing Full Overlay without dowels.	250
243-1045	110 Degree Clip, Self Closing Hinge, Half OL, with 8mm dowels.	250
243-1046	110 Degree Clip, Self Closing Hinge, Half OL, without dowels.	250
243-1047	110 Degree Clip, Self Closing Hinge, Inset, with 8mm dowels.	250
243-1048	110 Degree Clip, Self Closing Hinge, Inset, without dowels.	250

One Piece Cushion Close Face Frame Hinges With Cam Adjustable Arm, 35mm CUP, 45mm C/C		
P/N	Product Description	Carton Qty
243-1061	110 Degree, Short Arm, Cushion Hinge, 1/2" OL, with 8mm dowels.	200
243-1062	110 Degree, Short Arm, Cushion Hinge, 1/2" OL, without dowels.	200
243-1063	110 Degree, Short Arm, Cushion Hinge, 5/8" OL, with 8mm dowels.	200
243-1064	110 Degree, Short Arm, Cushion Hinge, 5/8" OL, without dowels.	200

*Attach with #6 X 5/8" Wood Screws

Comtrad Item Numbers & Description

Euro Mounting Plate For Clip-On*		
P/N	Product Description	Carton Qty
243-2017	Basic Steel Mounting Plate, 0 mm, without Screws	250
243-2018	Basic Steel Mounting Plate, 2 mm, without Screws	250
243-2019	Basic Steel Mounting Plate, 4 mm, without Screws	250

*Attach with #6 X 5/8" Wood Screws

Euro Mounting Plates For Clip-On With Euro Screws		
P/N	Product Description	Carton Qty
243-2020	Basic Steel Mounting Plate, 0 mm, with 14mm Euro Screws.	250
243-2021	Basic Steel Mounting Plate, 2 mm, with 14mm Euro Screws.	250
243-2022	Basic Steel Mounting Plate, 4 mm, with 14mm Euro Screws.	250
243-2031	Basic Steel Mounting Plate, 0 mm, with 12mm Euro Screws.	250

Euro Cam Adjustable Mounting Plates For Clip-On*		
P/N	Product Description	Carton Qty
243-2023	Cam Adjustable Mounting Plate, 0 mm, without Screws.	250
243-2024	Cam Adjustable Mounting Plate, 2 mm, without Screws.	250
243-2025	Cam Adjustable Mounting Plate, 4 mm, without Screws.	250

*Attach with #6 X 5/8" Wood Screws

Euro Cam Adjustable Mounting Plates For Clip-On With Euro Screws		
P/N	Product Description	Carton Qty
243-2026	Cam Adjustable Mounting Plate, 0 mm, with 14mm Euro Screws.	250
243-2027	Cam Adjustable Mounting Plate, 2 mm, with 14mm Euro Screws.	250
243-2028	Cam Adjustable Mounting Plate, 4 mm, with 14mm Euro Screws.	250

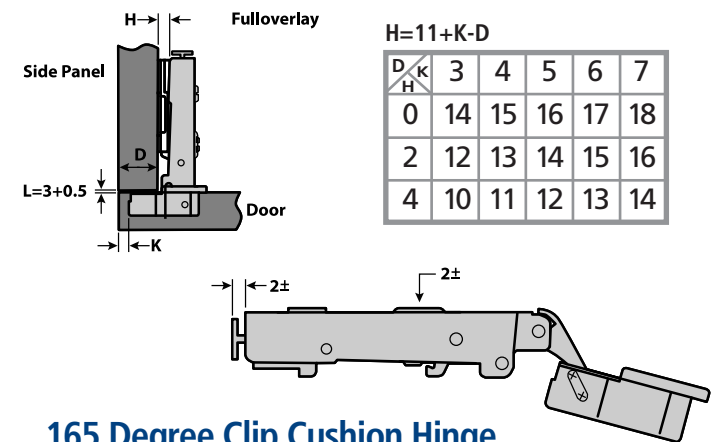
Steel Face Frame Mounting Plate For Clip-On*		
P/N	Product Description	Carton Qty
243-2029	Face Frame Mounting Plate, 0mm, without Screws.	250
243-2030	Face Frame Mounting Plate, 3mm, without Screws.	250

*Attach with #6 X 5/8" Wood Screws

Zinc Alloy Cam Adjustable Face Frame Mounting Plates For Clip-On*		
P/N	Product Description	Carton Qty
243-2032	Cam Adjust Face Frame Mounting Plate, 0mm, without Screws.	250
243-2033	Cam Adjust Face Frame Mounting Plate, 3mm, without Screws.	250

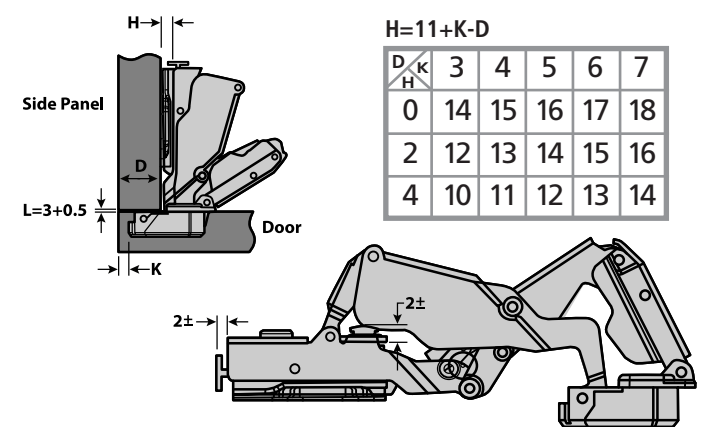
*Attach with #6 X 5/8" Wood Screws

125 Degree Clip Cushion Hinge



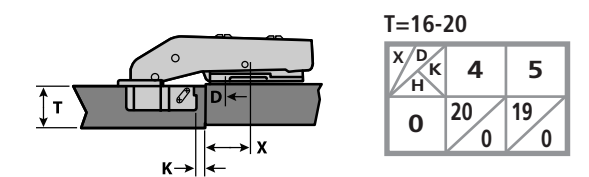
D/H \ K	3	4	5	6	7
0	14	15	16	17	18
2	12	13	14	15	16
4	10	11	12	13	14

165 Degree Clip Cushion Hinge



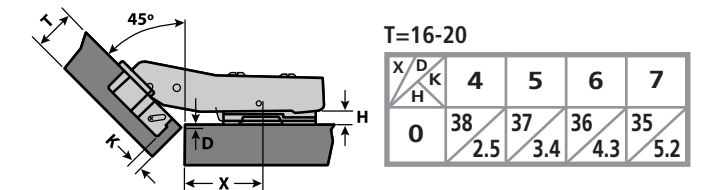
D/H \ K	3	4	5	6	7
0	14	15	16	17	18
2	12	13	14	15	16
4	10	11	12	13	14

90 Degree Clip Blind Corner Cushion Hinge



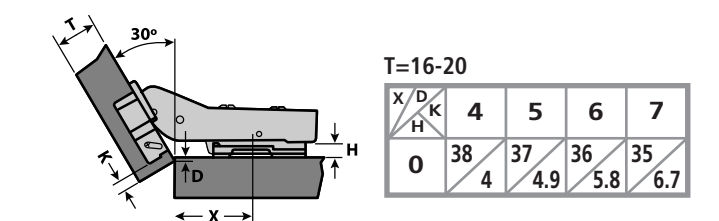
X/D \ H \ K	4	5
0	20	19
	0	0

45 Degree Clip Cushion Hinge



X/D \ H \ K	4	5	6	7
0	38	37	36	35
	2.5	3.4	4.3	5.2

30 Degree Clip Cushion Hinge



X/D \ H \ K	4	5	6	7
0	38	37	36	35
	4	4.9	5.8	6.7