

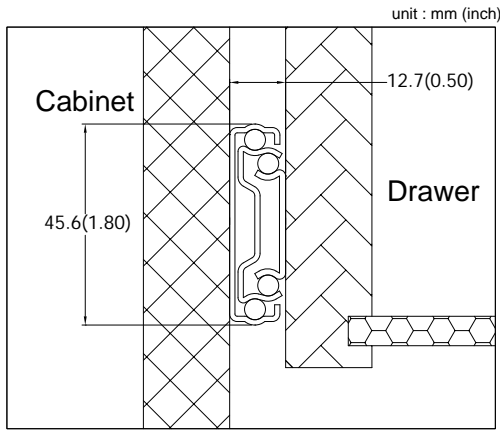
# 3M89

# King Slide®



## Push-Open - Full Extension Ball Bearing Slide

APPLICATIONS: Kitchen Furniture, Kitchen Cabinetry, Home Cabinetry and Office Furniture

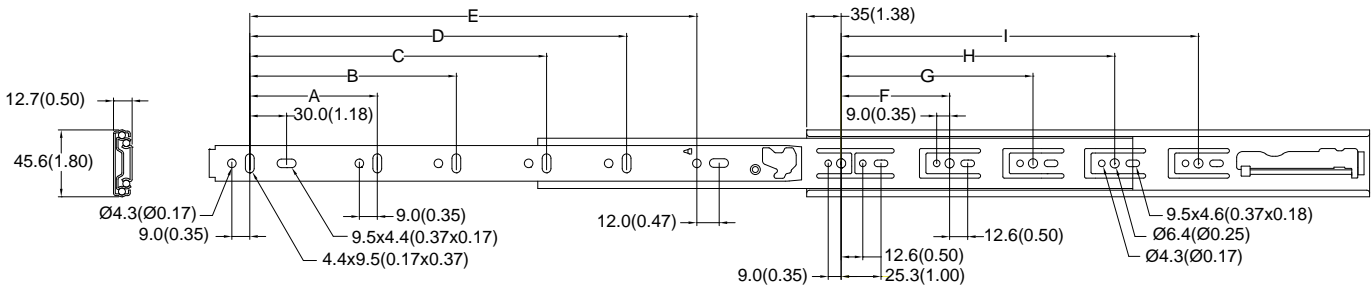
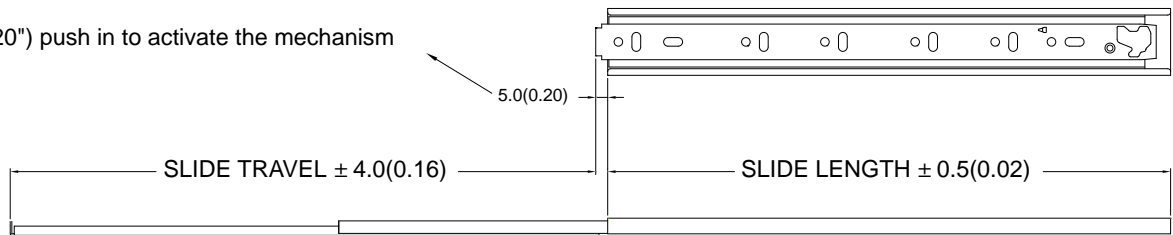


### Specifications/Features

- Length: 250mm to 700mm (9.84" to 27.56")
- Travel: Full Extension
- Side Space: 12.7mm (+0.5mm-0mm)
- Height: 45.6 mm (1.80")
- Load Capacity: 45 kg (100 lbs) /pair
- Mount: Side Mount
- Disconnect: Lever Disconnect
- Finish: Clear Zinc or Black
- Material: Cold Rolled Steel
- Packing: Unit Packed in 15 pairs/carton
- Bulk Packed in 40 pcs/carton for cabinet member
- 100 pcs/carton for drawer member

SLIDES

5mm(0.20") push in to activate the mechanism



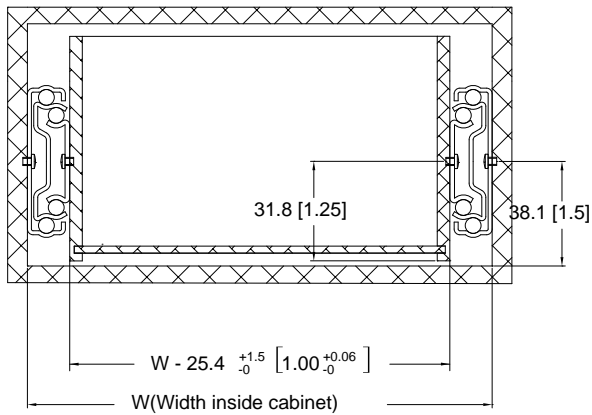
unit : mm (inch)

PART NO.	SLIDE LENGTH	SLIDE TRAVEL	LOAD RATING Kg [Lbs] / pair	HOLES POSITION								
				A	B	C	D	E	F	G	H	I
3M89-250	250.0(9.84)	250.7(9.87)	22.7(50.0)	—	—	—	—	161.0(6.34)	—	—	—	96.0(3.78)
3M89-300	300.0(11.81)	300.7(11.84)	27.3(60.0)	128.0(5.04)	—	—	—	201.0(7.91)	—	—	—	128.0(5.04)
3M89-350	350.0(13.78)	350.7(13.81)	34.1(75.0)	128.0(5.04)	—	—	—	261.0(10.28)	128.0(5.04)	—	—	192.0(7.56)
3M89-400	400.0(15.75)	400.7(15.78)	45.4(100.0)	128.0(5.04)	—	—	—	311.0(12.24)	128.0(5.04)	—	—	224.0(8.82)
3M89-450	450.0(17.72)	450.7(17.74)	45.4(100.0)	128.0(5.04)	320.0(12.60)	—	—	361.0(14.21)	128.0(5.04)	—	—	288.0(11.34)
3M89-500	500.0(19.69)	500.7(19.71)	45.4(100.0)	128.0(5.04)	224.0(8.82)	320.0(12.60)	—	407.0(16.02)	128.0(5.04)	224.0(8.82)	—	320.0(12.60)
3M89-550	550.0(21.65)	550.7(21.68)	45.4(100.0)	128.0(5.04)	224.0(8.82)	416.0(16.38)	—	461.0(18.14)	128.0(5.04)	224.0(8.82)	—	384.0(15.12)
3M89-600	600.0(23.62)	600.7(23.65)	38.6(85.0)	128.0(5.04)	224.0(8.82)	416.0(16.38)	—	511.0(20.12)	128.0(5.04)	224.0(8.82)	352.0(13.86)	448.0(17.64)
3M89-650	650.0(25.59)	650.7(25.62)	31.8(70.0)	128.0(5.04)	224.0(8.82)	416.0(16.38)	544.0(21.42)	561.0(22.09)	128.0(5.04)	224.0(8.82)	352.0(13.86)	480.0(18.90)
3M89-700	700.0(27.56)	700.7(27.59)	27.2(60.0)	128.0(5.04)	224.0(8.82)	416.0(16.38)	544.0(21.42)	611.0(24.06)	128.0(5.04)	224.0(8.82)	352.0(13.86)	544.0(21.42)

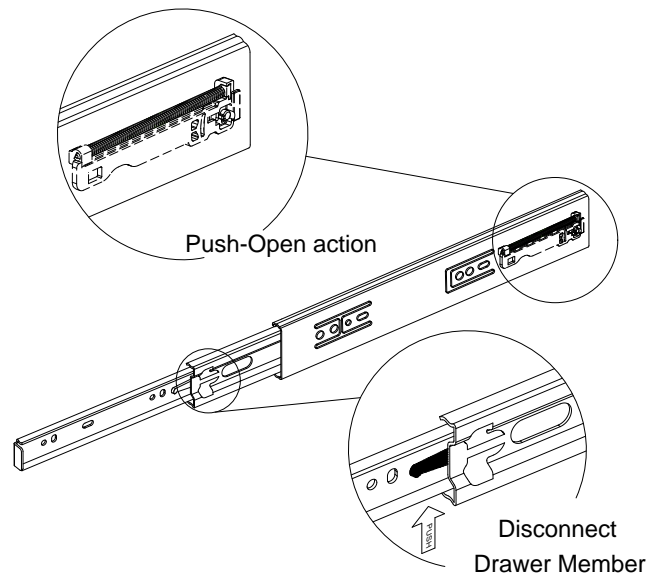
### NOTE

King Slide reserves the right to alter specifications of all the products without notice. The actual product may vary from the illustration. If the entity is different from the illustration, please refer to the entity.

## Installation Dimension



## Feature



## Installation Instruction

1. Separate slide members by actuating disconnect mechanism.
2. Install the drawer members as indicated in Fig.1. Make sure both drawer members are vertically and horizontally parallel.
3. Install the cabinet members as indicated in Fig.2. Make sure both cabinet members are vertically and horizontally parallel.
4. Insert drawer members into cabinet members and push the drawer until it is closed.

\* If sound damper is to be used, a distance of 5mm must be reserved for push-open actualization .

Drawer member

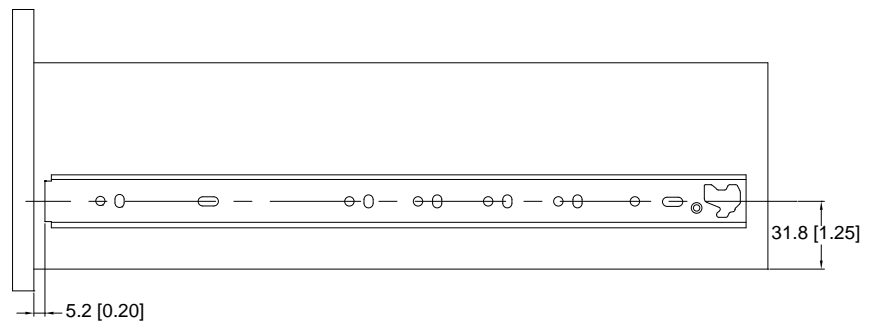


Fig.1

Cabinet member

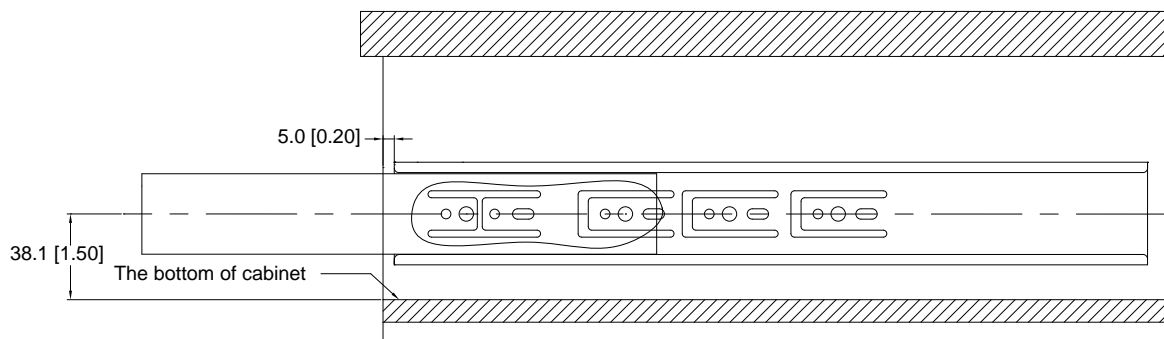


Fig.2



TF: 1.866.200.0564  
T: 905.625.0564



COMTRADSOURCING.com  
inquiries@comtradsourcing.com