

# KING SLIDE®

# 1A68F

## Silent Soft-Closing Undermount Slide for Face Frame and Frameless Cabinets



**Ultra smooth gliding motion with high rigidity and stability design**



**The King 1A68F Slide allows you to effortlessly and elegantly operate drawers.**

- Undermount with full extension travel length
- Enhanced silent soft-closing feature with light opening force
- Durable damping system with fast response capability
- Tool-less drawer height adjustment from the drawer front with 3.5 mm range
- Effortless assembly and removal of drawer with front release lever
- High dynamic loading capacity of 34kg (75lb) with 100,000 life cycles
- High installation allowances for drawer width: +0/-2 mm, and for drawer depth: +1/-1 mm

Visit YouTube for a demonstration.

<http://www.youtube.com/watch?v=x2i4r1Eps2Q>

**To order please contact your local distributor.**



COMTRADSOURCING.com

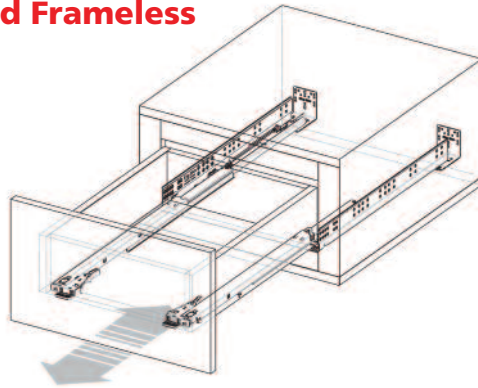
1-866-200-0564



## Full Extension Undermount Slide with Silent Soft-Closing for Face Frame and Frameless Applications

### Applications

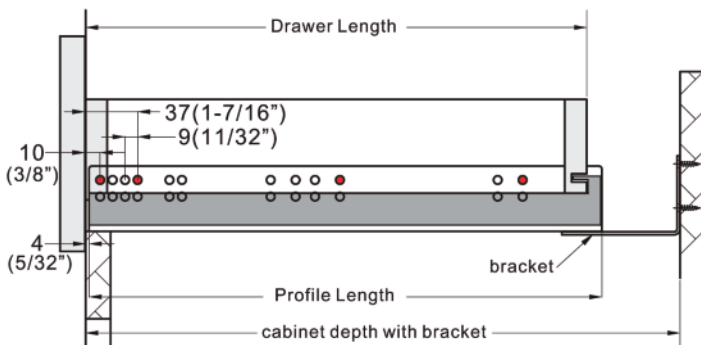
Kitchen Furniture  
Kitchen Cabinetry  
Home Cabinetry  
Box Drawers



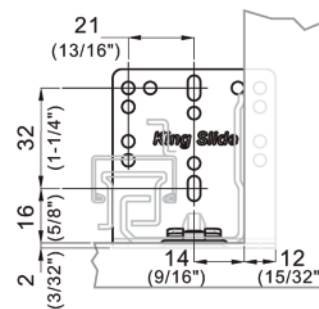
### Specifications/Features

- Length: 9" | 12" | 15" | 18" | 21"  
: 299 | 305 | 381 | 457 | 533 mm
- Drawer Side Thickness: 16mm (5/8") (max)
- Dynamic Load Capacity: 75 lbs
- Static Load Capacity: 100 lbs
- Travel: Full extension
- Mount: Undermount for faceframe and frameless cabinets
- Material: Galvanized steel sheet
- Features: Self-closing, Cushion-closing  
Tool-less height adjustment  
Locking devices easy assembly
- Packing: Unit Packed: 6 pair/carton  
2 pairs/carton

## Installation Specification



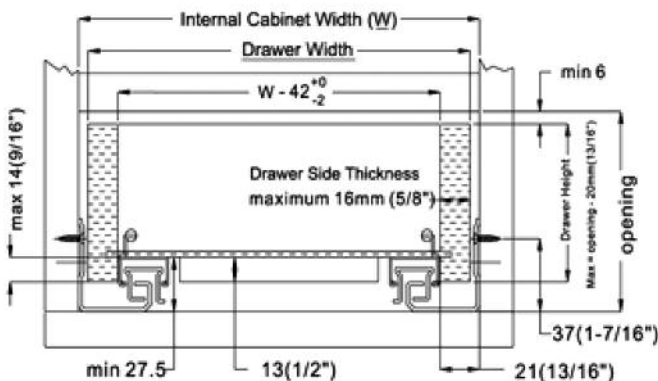
### Rear Bracket



Part No.	Drawer Length	Overall Cabinet Depth	Cabinet Depth with Bracket		Profile Length	System Screw Locations	
			Max	Min		A	B
280-940	229 (9")	305 (12")	299 (11-25/32")	266 (10-15/32")	256 (10-1/16")	133 (5-1/4")	229 (9")
280-941	305 (12")	381 (15")	369 (14-9/16")	326 (12-7/8")	317 (12-1/2")	165 (6-1/2")	261 (10-1/4")
280-942	381 (15")	457 (18")	446 (17-9/16")	403 (15-7/8")	394 (15-1/2")	165 (6-1/2")	357 (14-1/6")
280-943	457 (18")	533 (21")	522 (20-9/16")	479 (18-7/8")	470 (18-1/2")	261 (10-1/4")	453 (17-13/16")
280-944	533 (21")	610 (24")	598 (23-9/16")	555 (21-7/8")	546 (21-1/2")	261 (10-1/4")	517 (20-3/8")

Fit with American standard 3" cabinet depth system.

## Space Requirement



### Drawer Width Formula

Drawer Side Thickness	"W" minus
16 (5/8")	10 (3/8")
15 (19/32")	12 (15/32")
14 (9/16")	14 (9/16")
13 (1/2")	16 (5/8")
12 (15/32")	18 (23/32")

W: Internal Cabinet Width

Example:

Internal Cabinet Width = 457 mm (18")

Drawer Side Thickness = 13 mm (1/2")

Drawer Width = 457 - 16 = 441 mm  
= (18") - (5/8") = 17-3/8"