

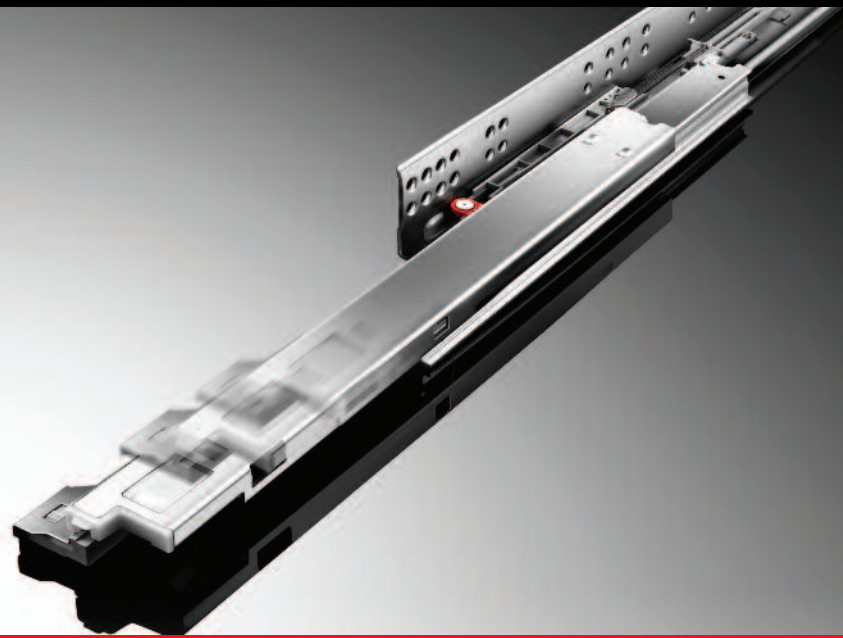
# KING SLIDE®

# 1A88F

## Award Winning Electric-Free Push-Open/Silent Soft-Closing Undermount Slide



**The World's First Push-Open and  
Silent Soft closing All Mechanical Design.**

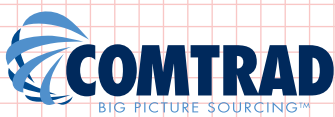


**The King 1A88F Slide allows you to effortlessly  
and elegantly operate drawers.**

The push-open design will completely change your views about drawers. Without needing a handle your furniture has a clean modern look. The 1A88F uses King's meticulously developed hydraulic dampers to provide a long life span and better performance. The hydraulic dampers also provide for a smoother and more quiet operation of drawers. Lifetime warranty.

Visit YouTube for a demonstration.

<http://www.youtube.com/watch?v=kYYjYZ3jvhs&feature=youtu.be>



COMTRADSOURCING.com

1-866-200-0564

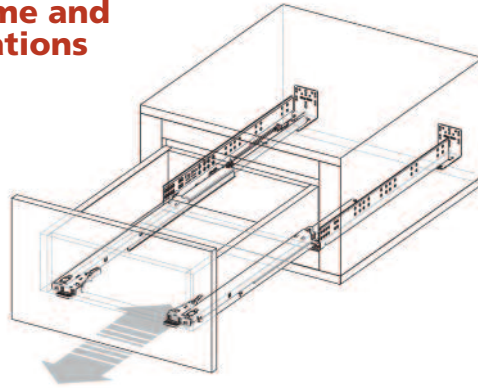
To order please contact your  
local distributor.



## Full Extension Concealed Slide with Cushion-closing Push-open Feature for Both Face Frame and Frameless Applications

### Applications

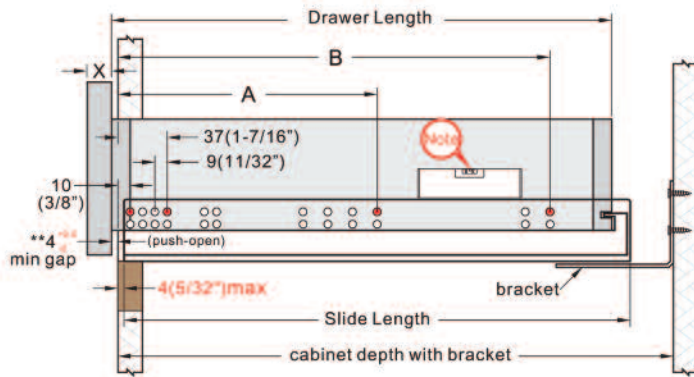
Kitchen Furniture  
Kitchen Cabinetry  
Home Cabinetry  
Box Drawers



### Specifications/Features

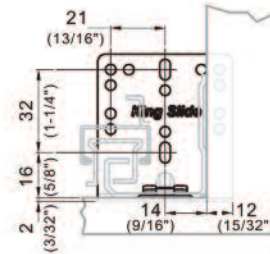
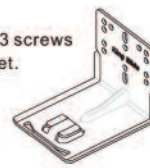
- Length: 12" | 15" | 18" | 21"  
: 305 | 381 | 457 | 533
- Drawer Side Thickness: 16mm (5/8") (max)
- Load Capacity: 34 (75 lbs)/pair
- Travel: Full extension
- Mount: Under mount (for faceframe cabinet)
- Material: Galvanized steel sheet
- Features: Self-closing, Cushion-closing  
Push-open feature  
Tool-less height adjustment  
Locking devices easy assembly
- Packing: Unit Packed: 2 pairs/carton

## Installation Specification

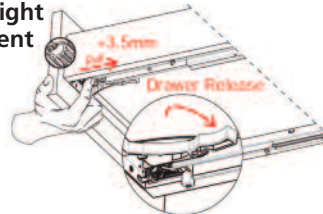


### Rear Bracket

\*Minimum 3 screws per bracket.



### Patented Drawer Front Height Adjustment



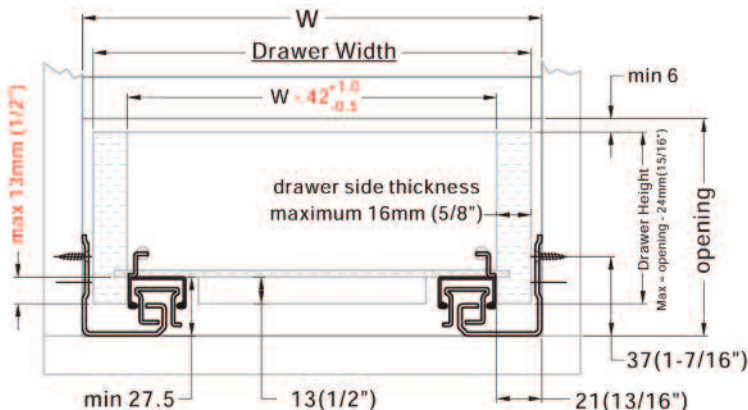
**Note:**  
Ensure the slide is parallel to the horizon or tilt to cabinet front on both sides during installation.



Part No.	Drawer Length	overall cabinet depth	cabinet depth with bracket		Profile Length	system screw locations	
			Max	Min		A	B
280-9410	305 (12")	381 (15")	369 (14-9/16")	326 (12-7/8")	317 (12-1/2")	165 (6-1/2")	261 (10-1/4")
280-9420	381 (15")	457 (18")	446 (17-9/16")	403 (15-7/8")	394 (15-1/2")	165 (6-1/2")	357 (14-1/16")
280-9430	457 (18")	533 (21")	522 (20-9/16")	479 (18-7/8")	470 (18-1/2")	261 (10-1/4")	453 (17-13/16")
280-9440	533 (21")	610 (24")	598 (23-9/16")	555 (21-7/8")	546 (21-1/2")	261 (10-1/4")	517 (20-3/8")

Fit with American standard 3" cabinet depth system.

## Space Requirement



Drawer Width Formula	
drawer side thickness	"W" minus
16 (5/8")	10 (3/8")
15 (19/32")	12 (15/32")
14 (9/16")	14 (9/16")
13 (1/2")	16 (5/8")
12 (15/32")	18 (23/32")

W: Internal Cabinet Width

Example: Internal Cabinet Width = 457 mm (18")  
Drawer Side Thickness = 13 mm (1/2")

$$\text{Drawer width} = 457 - 16 = 441 \text{ mm} \\ = (18") - (5/8") = 17-3/8"$$