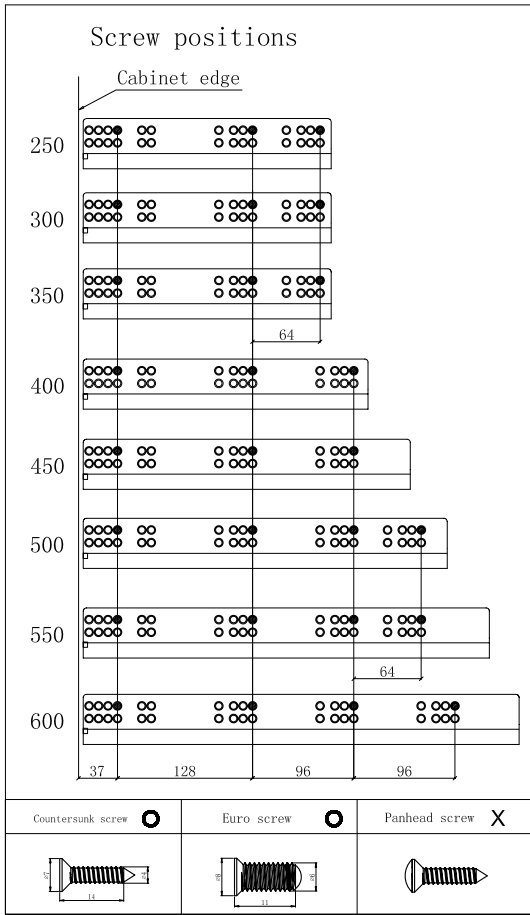
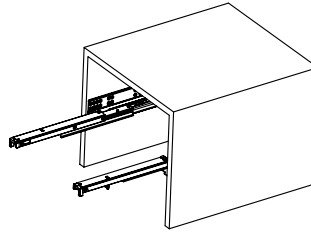


THE INSTALLATION HOLE OF THE SOFT CLOSING FULL EXTENSION UNDERMOUNT SLIDE INSTRUCTION

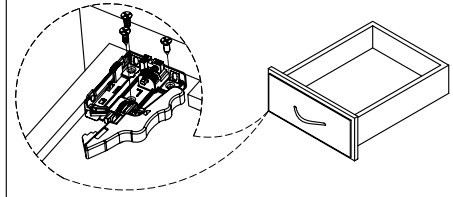


FRONT LOCKING BRACKETS INSTALLATION INSTRUCTION

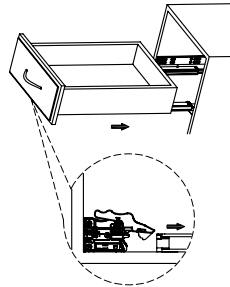
1) Please install the drawer , and keep the slide full extension outside the drawer.



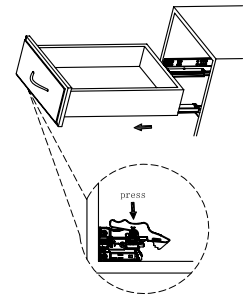
2) The locking brackets installed on the bottom of the drawer.



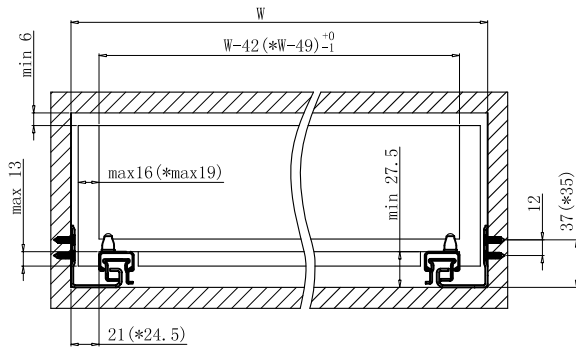
3) Please put the drawer flat on the slide, and close the drawer completely. When the slide is connected with the locking brackets, then the installation to be finished.



4) Press the locking brackets release lever to take out the drawer.



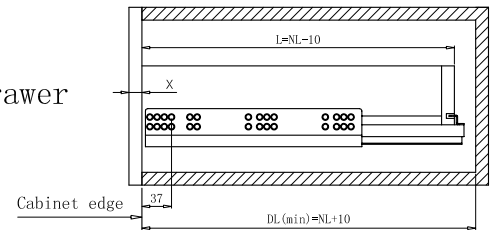
The drawer slide with locking brackets installation size



The asterisk number is the installation size of 19mm thickness drawer slide

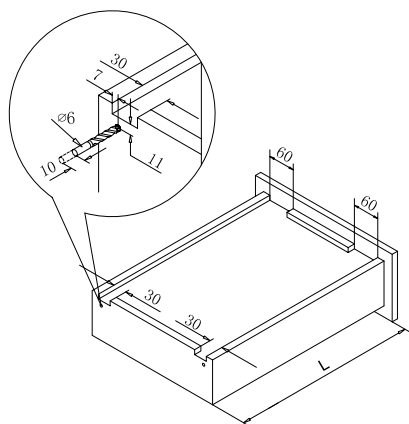
W: internal cabinet width
L: drawer length
NL: assembling dimensions length
DL: internal cabinet depth
X: the drawer board thickness

Standard drawer

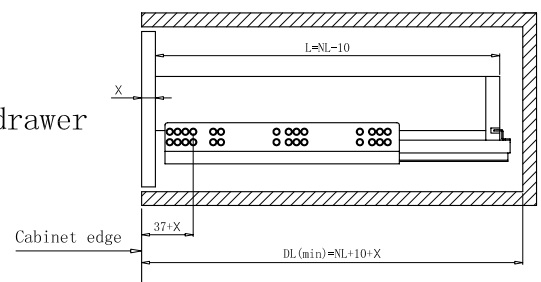


assembling dimensions length	250	300	350	400	450	500	550	600
Drawer length	240	290	340	390	440	490	540	590

Rear connecting link installation size



Inner drawer



assembling dimensions length	250	300	350	400	450	500	550	600
Drawer length	240	290	340	390	440	490	540	590