

CGS Hinge Series

Cushion Close Self Closing
Face Frame



Steel Face Frame Mounting Plates



Euro Mounting Plates



Euro Cam Adjustable Mounting Plates

Features

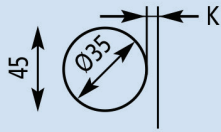
- Heavy Duty Hinge Cup-to-Arm Connection with 6 Laminated Steel Linkage Connectors.
- Multiple Cam Adjustments.
- Full Overlay, Half Overlay and Inset Hinges.
- Easy Clip-On of Hinge-to-Baseplate.
- Common Baseplates for Cushion Close, Free Swing and Self Close Applications.
- Numerous Baseplates for Different Overlays.
- 45mm c/c Hinge Cup Screw Spread.
- Competitive Pricing to Lower Door Hardware Costs.
- Limited Lifetime Warranty.

Hinge Series



Hinge Overlay Charts

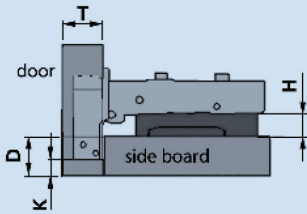
Face Frame Cabinet Overlay



$\frac{D}{H} \backslash K$	3	4	5	6	7
0	14	15	16	17	18
3	11	12	13	14	15

Frameless Cabinet Overlay

FULL OVERLAY

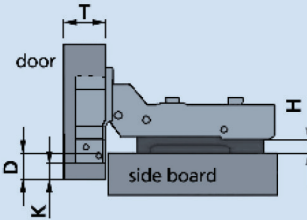


$$T=16-20 \quad H=11+K-D$$

$\frac{D}{H} \backslash K$	3	4	5	6	7
0	14	15	16	17	18
2	12	13	14	15	16
4	10	11	12	13	14

Frameless Cabinet Overlay

HALF OVERLAY

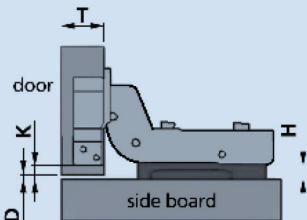


$$T=16-20 \quad H=3+K-D$$

$\frac{D}{H} \backslash K$	3	4	5	6	7
0	6	7	8	9	10
2	4	5	6	7	8
4	2	3	4	5	6

Frameless Cabinet Overlay

INSET



$$T=16-20 \quad H=D+K-5$$

$\frac{D}{H} \backslash K$	3	4	5	6
0	2	1	0	-1
2	4	3	2	1
4	6	5	4	3

Comtrad Item Numbers & Description

Clip-On Cushion Close Hinge With Cam Adjustable Arm, 35mm CUP, 45mm C/C

P/N	Product Description	Carton Qty
243-1016	110 Degree Clip Cushion Hinge, Full OL, with 8mm dowels	250
243-1017	110 Degree Clip Cushion Hinge, Half OL, with 8mm dowels	250
243-1018	110 Degree Clip Cushion Hinge, Inset, with 8mm dowels	250
243-1019	110 Degree Clip Cushion Hinge, Full OL, without dowels	250
243-1020	110 Degree Clip Cushion Hinge, Half OL, without dowels	250
243-1021	110 Degree Clip Cushion Hinge, Inset, without dowels	250
243-1022	125 Degree Clip Cushion Hinge, Full OL, with 8mm dowels	250
243-1023	125 Degree Clip Cushion Hinge, Full OL, without dowels	250
243-1026	110 Degree Clip Cushion Hinge, Full OL, Quick Mount	250
243-1027	110 Degree Clip Cushion Hinge, Half OL, Quick Mount	250
243-1028	110 Degree Clip Cushion Hinge, Inset, Quick Mount	250
243-1051	165 Degree Clip Cushion Hinge, Full OL, without dowels	100
243-1052	30 Degree Clip Cushion Hinge, without dowels	100
243-1053	45 Degree Clip Cushion Hinge, without dowels	100
243-1054	90 Degree Clip Blind Corner Cushion Hinge, without dowels	100
243-1055	165 Degree Clip Cushion Hinge, Full OL, with 8mm dowels	100
243-1056	30 Degree Clip Cushion Hinge, with 8mm dowels	100
243-1057	45 Degree Clip Cushion Hinge, with 8mm dowels	100
243-1058	90 Degree Clip Blind Corner Cushion Hinge, with 8mm dowels	100
243-1059	165 Degree Wide Angle Clip Cushion Hinge, Half OL, with 8mm dowels	100
243-1060	165 Degree Wide Angle Clip Cushion Hinge, Inset, with 8mm dowels	100
243-1077	165 Degree Wide Angle Clip Cushion Hinge, Inset, without dowels	100
243-1078	135 Degree Pie Cut Corner Hinge, Inset, with 8mm dowels	100
243-2011	Angle Reduction Clip, Reduces angle to 95 degrees	250
243-2015	ABS Hinge Arm Cover Cap	250
243-2016	Steel Hinge Arm Cover Cap	250

Clip-On Self Closing & Free Swinging Hinges With Cam Adjustable Arm, 35mm CUP, 45 mm C/C

P/N	Product Description	Carton Qty
243-1041	110 Degree On Hinge, Self Close Full OL, with 8mm dowels	250
243-1042	110 Degree On Hinge, Self Close Full OL, without dowels	250
243-1043	110 Degree On Hinge, Free Swing Full OL, with 8mm dowels	250
243-1044	110 Degree On Hinge, Free Swing Full OL, without dowels	250
243-1045	110 Degree Clip Self Closing Hinge, Half OL, with 8mm dowels	250
243-1046	110 Degree Clip Self Closing Hinge, Half OL, without dowels	250
243-1047	110 Degree Clip Self Closing Hinge, Inset, with 8mm dowels	250
243-1048	110 Degree Clip Self Closing Hinge, Inset, without dowels	250
243-1049	110 Degree Clip Free Swing Hinge, Inset, without dowels	250
243-1071	125 Degree Clip Self Closing Hinge, Full OL, with 8mm dowels	250
243-1072	125 Degree Clip Self Closing Hinge, Full OL, without dowels	250
243-1073	165 Degree Wide Angle Clip Self Closing, Full OL, with 8mm dowels	250
243-1074	165 Degree Wide Angle Clip Self Closing, Full OL, without dowels	250

One Piece Cushion Close / Self-Close Face Frame Hinges With Cam Adjustable Arm, 35mm CUP, 45mm C/C

P/N	Product Description	Carton Qty
243-1061	110 Degree Short Arm Cushion Hinge, 1/2" OL, with 8mm dowels	200
243-1062	110 Degree Short Arm Cushion Hinge, 1/2" OL, without dowels	200
243-1063	110 Degree Short Arm Cushion Hinge, 5/8" OL, with 8mm dowels	200
243-1064	110 Degree Short Arm Cushion Hinge, 5/8" OL, without dowels	200
243-1065	110 Degree Short Arm Self Close Hinge, 1/2" OL, with 8mm dowels	200
243-1066	110 Degree Short Arm Self Close Hinge, 1/2" OL, without dowels	200
243-1067	110 Degree Short Arm Self Close Hinge, 5/8" OL, with 8mm dowels	200
243-1068	1 1 0 Degree Short Arm Self Close Hinge, 5/8" OL, without dowels	200



Hinge Series



Compact One Piece Cushion Close / Self-Close Hinge

P/N	Product Description	Carton Qty
243-1069	Compact, Face Frame, Self Close Hinge, 1/2" OL, with 8mm dowels	250
243-1070	Compact, Face Frame, Self Close Hinge, 1/2" OL, without dowels	250
243-1075	Compact, Face Frame, Self Close Hinge, 1-1/4" OL, 2-cam with 8mm dowels	300
243-1076	Compact, Face Frame, Self Close Hinge, 1-1/4" OL, 2-cam without dowels	300
243-1093	Compact, Face Frame, Cushion Close Hinge, 1-1/4" OL, 2-cam with 8mm dowels	300
243-1095	Compact, Face Frame, Cushion Close Hinge, 1-1/4" OL, 2-cam with 8mm dowels	300
243-1101	Compact, Face Frame, Cushion Close Hinge, 1/2" OL, 3-cam with 8mm dowels	300

Euro Mounting Plate For Clip-On*

P/N	Product Description	Carton Qty
243-2017	Basic Steel Mounting Plate, 0mm, without Screws	250
243-2018	Basic Steel Mounting Plate, 2mm, without Screws	250
243-2019	Basic Steel Mounting Plate, 4mm, without Screws	250

Euro Mounting Plates For Clip-On With Euro Screws

P/N	Product Description	Carton Qty
243-2020	Basic Steel Mounting Plate, 0mm, with 14mm Euro Screws	250
243-2021	Basic Steel Mounting Plate, 2mm, with 14mm Euro Screws	250
243-2022	Basic Steel Mounting Plate, 4mm, with 14mm Euro Screws	250
243-2031	Basic Steel Mounting Plate, 0mm, with 12mm Euro Screws	250
243-2035	Basic Steel Mounting Plate, 0mm, with 5mm dowel	250

Euro Cam Adjustable Mounting Plates For Clip-On*

P/N	Product Description	Carton Qty
243-2023	Cam Adjustable Mounting Plate, 0mm, without Screws	250
243-2024	Cam Adjustable Mounting Plate, 2mm, without Screws	250
243-2025	Cam Adjustable Mounting Plate, 4mm, without Screws	250
243-2036	Cam Adjustable Mounting Plate, 0mm, with 5mm dowel	250

Euro Cam Adjustable Mounting Plates For Clip-On With Euro Screws

P/N	Product Description	Carton Qty
243-2026	Cam Adjustable Mounting Plate, 0mm, with 14mm Euro Screws	250
243-2027	Cam Adjustable Mounting Plate, 2mm, with 14mm Euro Screws	250
243-2028	Cam Adjustable Mounting Plate, 4mm, with 14mm Euro Screws	250

Steel Face Frame Mounting Plate For Clip-On*

P/N	Product Description	Carton Qty
243-2029	Face Frame Mounting Plate, 0mm, without Screws	250
243-2030	Face Frame Mounting Plate, 3mm, without Screws	250

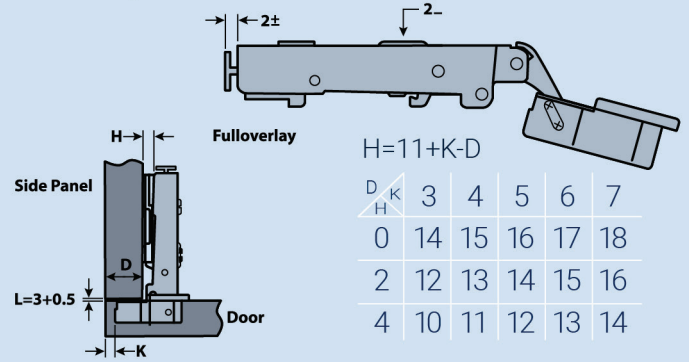
Zinc Alloy Cam Adjustable Face Frame Mounting Plates For Clip-On*

P/N	Product Description	Carton Qty
243-2032	Cam Adjust Face Frame Mounting Plate, 0mm, without Screws	250
243-2033	Cam Adjust Face Frame Mounting Plate, 3mm, without Screws	250
243-2034	Cam Adjust Face Frame Mounting Plate, 6mm, without Screws	250

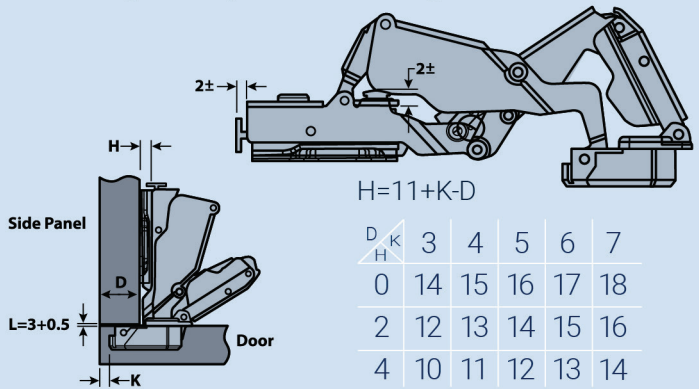
*Attach with #6 X 5/8" Wood Screws

OL = Overlay

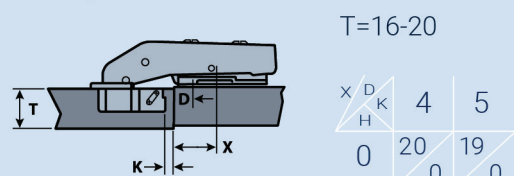
125 Degree Clip Cushion Hinge



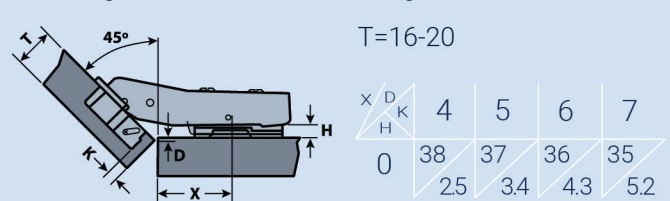
165 Degree Clip Cushion Hinge



90 Degree Clip Blind Corner Cushion Hinge



45 Degree Clip Cushion Hinge



30 Degree Clip Cushion Hinge

