

CGS Single Wall Metal Box System

100 lb. Carrying Capacity - Single Wall



Features

- Self Closing
- Double Captive
- 32 mm Compatibility
- Easy Front Mounting
- **Load Capacity:** 100 lbs
- **Material:** Cold Rolled Steel
- Durable Epoxy Powder Coating
- Four Way Adjustable Drawer Fronts

Applications

- Store Fixtures
- Office Furniture
- Kitchen Cabinets
- Medical Equipment
- Architectural Millwork
- Manufactured Housing

Available In:

Lengths: 250 mm, 300 mm,
350mm, 400mm,
450mm, 500mm,
550mm, 600mm

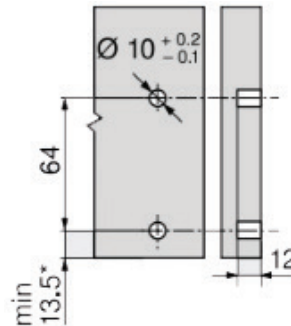
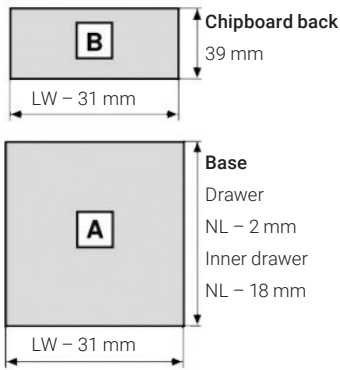
CGS Single Wall Metal Box System



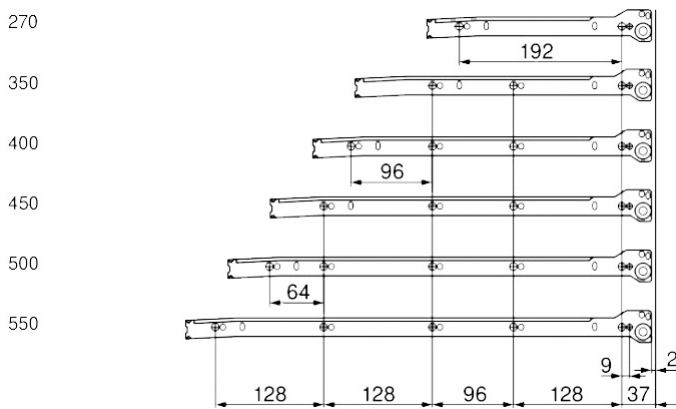
100 lb. Carrying Capacity - Single Wall

Cabinet Construction

Front Construction



Cabinet Members



Ordering

White Runners and Drawer Profiles (Front clips included)

Runner Length	86mm Height	150mm Height
250mm	281-MB250-86	281-MB250-150
300mm	281-MB300-86	281-MB300-150
350mm	281-MB350-86	281-MB350-150
400mm	281-MB400-86	281-MB400-150
450mm	281-MB450-86	281-MB450-150
500mm	281-MB500-86	281-MB500-150
550mm	281-MB550-86	281-MB550-150
600mm	281-MB600-86	281-MB600-150



5775 McLaughlin Rd, Mississauga, Ontario L5R 3P7
TF: 1.866.200.0564 | T: 905.625.0564

inquiries@comtradsourcing.com | www.comtradsourcing.com