

CGS Undermount Slide Series

Full Extension Cushion Close



Specifications

Length: 229 / 305 / 381 / 457 / 533mm
9" / 12" / 15" / 18" / 21"

Travel: Full Extension

Max Drawer Side Thickness: 16 mm

Max Load Capacity: 45 kg(100 lb)/pair

Mount: Undermount

Material: Galvanized Steel

Height Adjustment: +3.5mm

Side Adjustment: ±1.5mm

Depth Adjustment: ±2mm

Package: 6 pairs/carton

Features

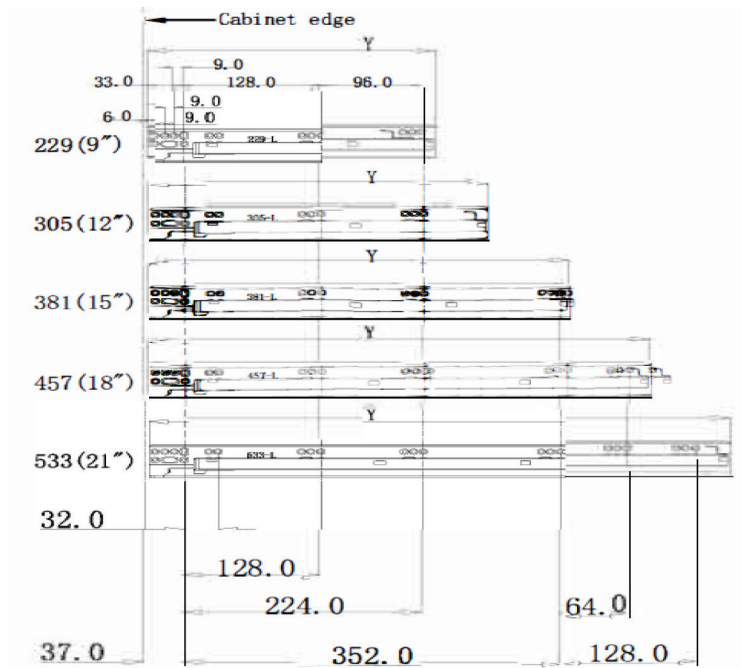
- Undermounted concealed runners with full extension travel length
- Ultra smooth gliding motion with high rigidity and stability
- Enhanced silent soft-closing feature with light opening force
- Durable damping system with fast response capability
- Tool-less drawer height adjustment from the drawer front
- Tool-less drawer side adjustment from locking device
- Tool-less built in depth adjustment roller on the drawer member
- Simple assembly and removal of drawer with the front release latch
- Dynamic loading capacity of 45kg (100lb) with 50,000 life cycles
- Can be mounted either in face frame style using rear bracket, or in frameless style to the side of the cabinet

Applications

- For Face Framed and Frameless Cabinets: Kitchen Cabinetry, Home Furniture and Box Drawers

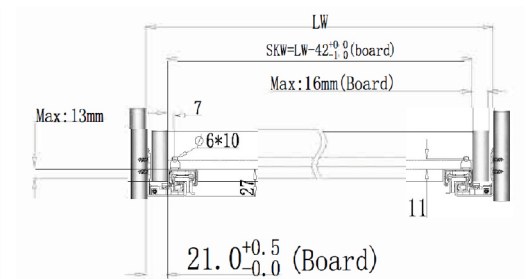
Undermount Slide

CGS2 Full Extension Cushion Close



Drawer Width Formula	
Drawer Side Thickness	"W" Minus
16 (5/8")	10 (3/8")
15 (19/32")	12 (15/32")
14 (9/16")	14 (9/16")
13 (1/2")	16 (5/8")
12 (15/32")	18 (23/32")

W: Internal Cabinet Width
 Example: Internal Cabinet Width = 457 mm (18")
 Drawer Side Thickness = 13 mm (1/2")
 Drawer Width = $457 - 16 = 441$ mm ± 0.5 mm
 = 18 - (5/8") = 17-3/8"

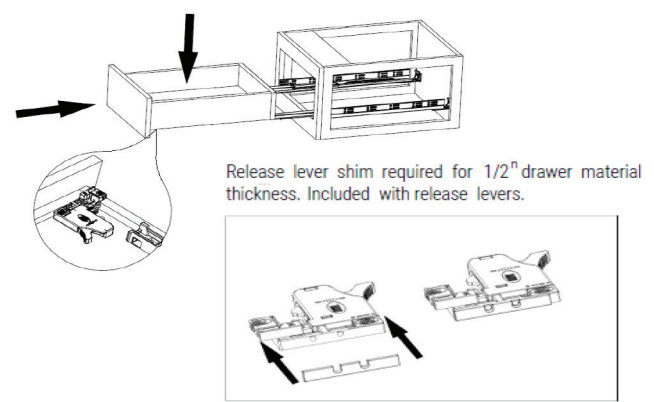


Item No.	Drawer Length	Overall Cabinet Depth	Cabinet Depth with Bracket MAX	Cabinet Depth with Bracket MIN
280-2S09	229 (9")	305 (12")	298	293
280-2S12	305 (12")	381 (15")	369	336
280-2S15	381 (15")	457 (18")	446	413
280-2S18	457mm (18")	533 (21")	522	489
280-2S21	533mm (21")	610 (24")	598	565

Ordering

Drawer

Item	Description	Carton Quantity
280-2S09	229mm (9") CGS2 Soft Close Undermount	6
280-2S12	305mm (12") CGS2 Soft Close Undermount	6
280-2S15	381mm (15") CGS2 Soft Close Undermount	6
280-2S18	457mm (18") CGS2 Soft Close Undermount	6
280-2S21	533mm (21") CGS2 Soft Close Undermount	6
280-2SFB	CGS2 6-way Adjustable Front Bracket	60
280-1069	Rear Metal Face Frame Bracket	100



5775 McLaughlin Rd, Mississauga, Ontario L5R 3P7
 TF: 1.866.200.0564 | T: 905.625.0564
 inquiries@comtradsourcing.com | www.comtradsourcing.com