

CGS Ball Bearing Slide Series

500 lb. Heavy Duty Full Extension Ball Bearing Slide



Specifications

Length: 12"-60"(350mm-1500mm)

Height: 76 mm

Side Space: 19 mm

Travel: Full Extension

Mount: Sidemount

Load: 2274 kg (500 lb.) Pair (Max)

Disconnect: None

Finish: Zinc Plated

Material: Cold Rolled Steel

Packaging: Differs by Length

Applications

- Store Fixtures
- Architectural Millwork
- Office Furniture
- Medical Equipment Carts & Storage Racks
- Carts & Storage Racks

Features

- Heavy Gauge Steel Construction
- Front Levered Disconnect
- 32mm Hole Pattern
- Ball Bearing Carriage Hold Out Feature
- 3/4" Side Clearance
- 500 Lb. Dynamic Weight Capacity
- ANSI/BIFMA Tested & Certified

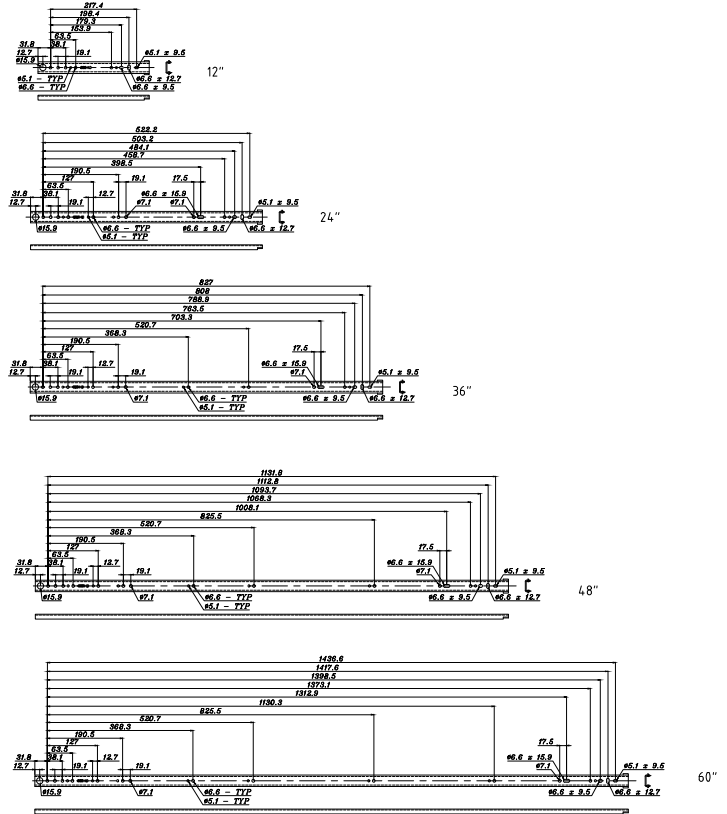
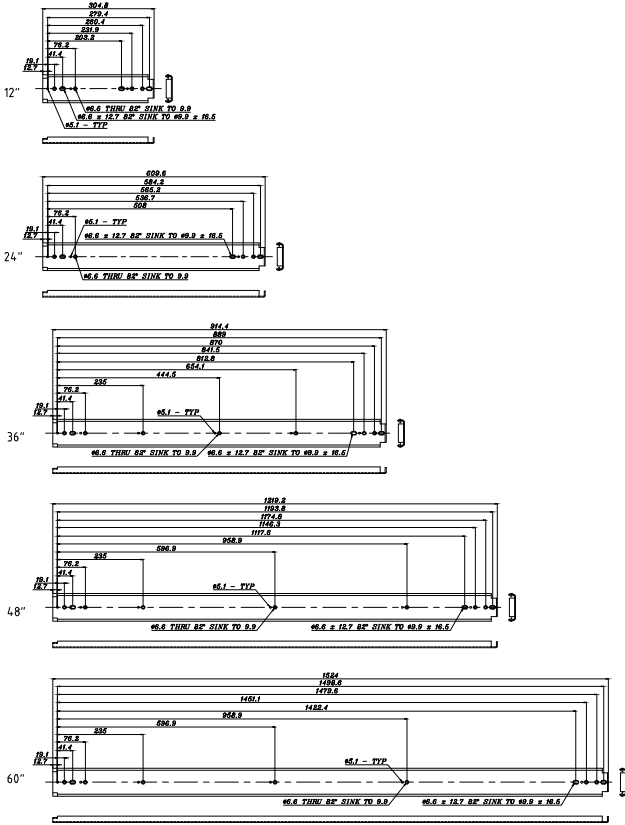
Full Extension Slide



Heavy Duty Full Extension Ball Bearing Slides

Cabinet Members

Drawer Members



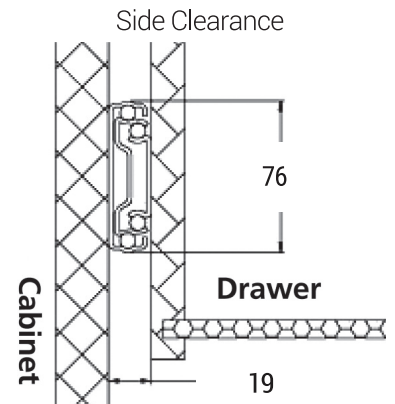
Ordering

Cabinet

Item	Description
280-500HD-12	12" 500 LB Heavy Duty.
280-500HD-14	14" 500 LB Heavy Duty.
280-500HD-16	16" 500 LB Heavy Duty.
280-500HD-18	18" 500 LB Heavy Duty.
280-500HD-20	20" 500 LB Heavy Duty.
280-500HD-22	22" 500 LB Heavy Duty.
280-500HD-24	24" 500 LB Heavy Duty.
280-500HD-26	26" 500 LB Heavy Duty.
280-500HD-28	28" 500 LB Heavy Duty.
280-500HD-30	30" 500 LB Heavy Duty.

Item	Description
280-500HD-32	32" 500 LB Heavy Duty.
280-500HD-34	34" 500 LB Heavy Duty.
280-500HD-36	36" 500 LB Heavy Duty.
280-500HD-38	38" 500 LB Heavy Duty.
280-500HD-40	40" 500 LB Heavy Duty.
280-500HD-42	42" 500 LB Heavy Duty.
280-500HD-44	44" 500 LB Heavy Duty.
280-500HD-46	46" 500 LB Heavy Duty.
280-500HD-48	48" 500 LB Heavy Duty.
280-500HD-60	60" 500 LB Heavy Duty.

* technical drawings for all sizes above 24" available upon request



5775 McLaughlin Rd, Mississauga, Ontario L5R 3P7
 TF: 1.866.200.0564 | T: 905.625.0564
 inquiries@comtradsourcing.com | www.comtradsourcing.com