


Slatwall Panels

6" Slatwall Panels

- The ZZIPIR 6" Slatwall Panel delivers a clean, modern finish ideal for full wall applications or stylish banding around a room
- Panels are a convenient solution for organizing any space
- Weight capacity of **150 lbs / sq. ft.**
- Trims and accessories are sold separately

Color Options



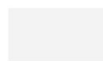

	Charcoal		Grey
	White		Sand



8" Slatwall Panels

- The ZZIPIR 8" Slatwall Panel is ideal for covering large areas. Such as floor to ceiling, even a banding around a room
- Weight capacity of **250 lbs / sq. ft.**
- Sold in bulk as 8' bundles of 6 pieces (32 sq. ft.)
- Trims and accessories are sold separately

Color Options

	Charcoal		Grey
	White		Sand

Premium Color Options

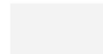
	Black		Blue
--	--------------	---	-------------



Dual 3" Slatwall Panels

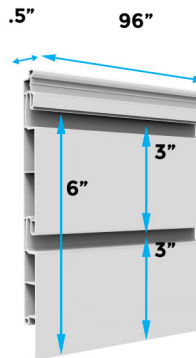
- The perfect addition to any install. Used either as accent banding, or in larger sections. Great for organizing small items
- Weight capacity of **150 lbs / sq. ft.**
- Sold in bulk as 8' bundles of 8 pieces (32 sq. ft.)
- Trims and accessories are sold separately

Color Options

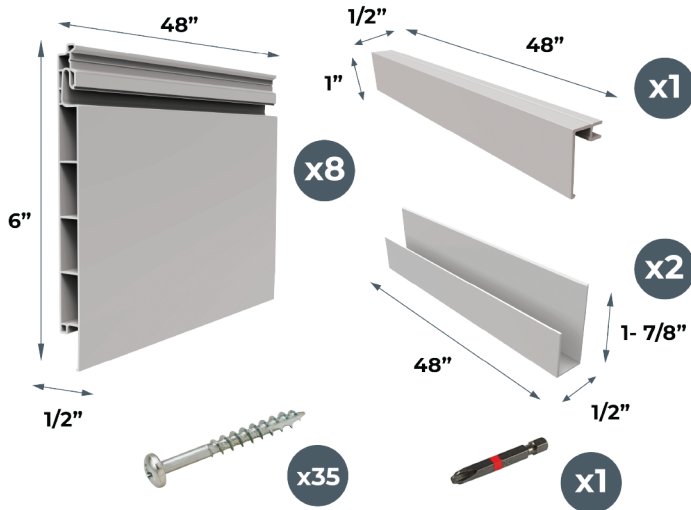
	Charcoal		Grey
	White		Sand

Premium Color Options

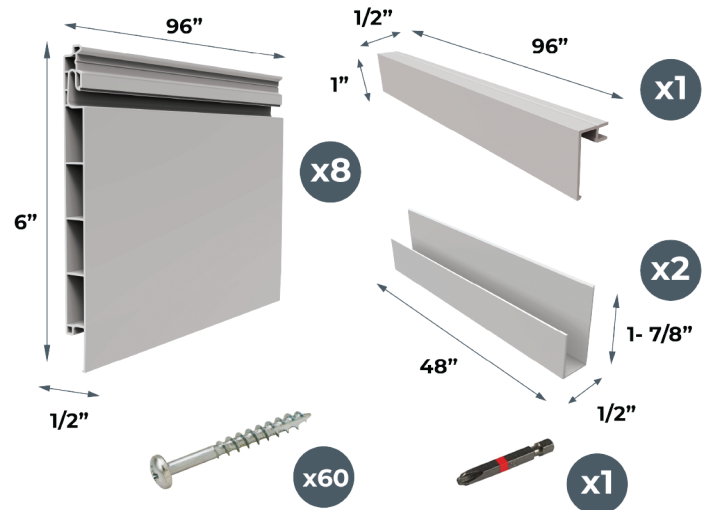
	Black		Blue
--	--------------	---	-------------



4' x 4' 6" Panel Kit



8' x 4' 6" Panel Kit



12" Slatwall Panels

- Achieve a sleek, modern look with the ZZIPR 12" slatwall panel, ideal for full wall coverage or eye-catching banding accents.
- Weight capacity of **100 lbs / sq. ft.**
- Trims and accessories sold separately

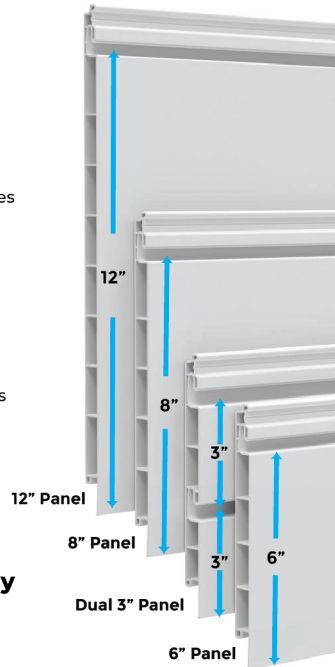
Color Options



Additional color choices are available by special order.



- Strongest**
 - Highest weight load rated
- Light Weight**
 - Conveniently packed in a box
 - Can be transported with most vehicles
 - Easy to handle
- Moisture Resistant**
 - Moisture resistant
 - Mold resistant
- Temperature Resistant**
 - Can withstand extreme temperatures
 - Flame resistant
- Strong Construction**
 - Full back eliminates warping
 - Impact resistant
- Easy and Secure Assembly**
 - Patented locking feature ensures level installation
 - Hidden fasteners allow for a clean and continuous look when assembled



12" Slatwall Panel

8" Slatwall Panel

8" Slatwall Panel

6" Slatwall Panel

3"

3"

3" Slatwall Panel

3"

3"

3"

6" Slatwall Panel

8" Slatwall Panel

8" Slatwall Panel

12" Slatwall Panel



The World's Most Versatile Slatwall

ZZIPR is the only Slatwall System in the world with multiple panel sizes that work seamlessly together to let you design your storage your way!

Versatile enough for any room in the house. Our Slatwall comes in 8' and 12' lengths.



CRAFT ROOM



MUD ROOM



CLOSET



LAUNDRY ROOM



OFFICE



SHED