

CGS Platinum

Full Extension Cushion Close Ball Bearing Slides



Features

- KCMA/BIFMA Tested & Certified
- Cycle Tested to 100,000 opening and closing
- Heavy Gauge Steel Construction
- Micro plated 3.0-3.5 MIU
- Front Lever Disconnect
- 32mm Hole Pattern
- Ball Bearing Carriage Hold Out Feature
- High-Quality Stainless-steel ball bearing carriage
- Cylinder lengthened for a 40mm Cushion Closing distance
- Retractor springs made of High-Quality Piano wire.
- Brass Hydraulic Oil Cylinder
- Multiple Cushion Closing Technology buffers
- Stainless Steel Cushion Close trip pin mechanism
- Opening Pull Force 3.4lbs - 4.0lbs
- 45KG Load Capacity

Specifications

- Length:** 12" to 24" (300mm – 600mm)
- Height:** 45mm (1.77")
- Side Space:** 12.7 \pm 0.2
- Travel:** Full Extension
- Mount:** Side-Mount
- Load:** 45kg / 100lb Pair (Max)
- Disconnect:** Lever Disconnect
- Finish:** Zinc Plated
- Material:** Cold Rolled Steel
- Packaging:** 10 Pair / Carton



Applications

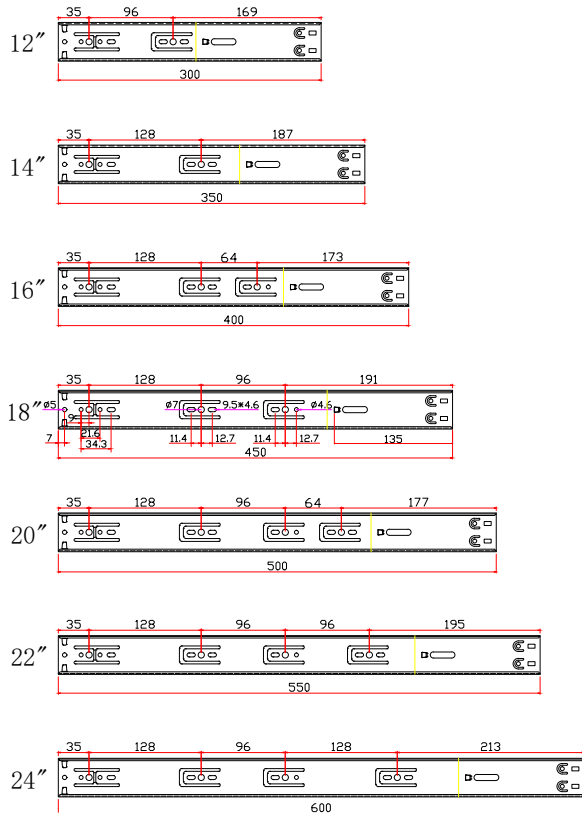
- Kitchen & Bath Cabinets
- Store Fixtures
- Architectural Millwork
- Office Furniture
- Medical Equipment Storage Carts & Storage Racks
- Carts & Storage Racks
- Manufactured Housing
- Recreational Vehicles

Full Extension Slide

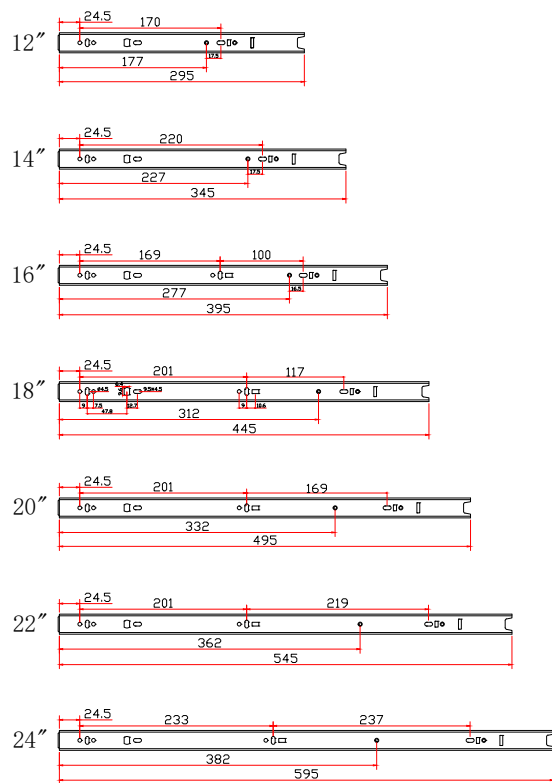


Full Extension Cushion Close Ball Bearing Slides

Cabinet Members



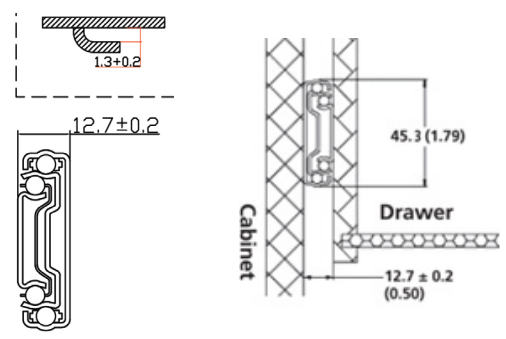
Drawer Members



Ordering

Item	Description	Carton Quantity
280-1011-PLTM	300mm (12") 100 lb.	10
280-1012-PLTM	350mm (14") 100 lb.	10
280-1013-PLTM	400mm (16") 100 lb.	10
280-1014-PLTM	450mm (18") 100 lb.	10
280-1015-PLTM	500mm (20") 100 lb.	10
280-1016-PLTM	550mm (22") 100 lb.	10
280-1017-PLTM	600mm (24") 100 lb.	10

Cabinet



5775 McLaughlin Rd, Mississauga, Ontario L5R 3P7
 TF: 1.866.200.0564 | T: 905.625.0564
 inquiries@comtradsourcing.com | www.comtradsourcing.com